

Tripod

Scanjet tank cleaning equipment



KEY FEATURES

Tripod

- Easy to use
- Capacity 500 kg
- Enables rapid overhaul
- Safe operation
- Aluminium
- Split version (option)
- Non-corrosive materials

Scanjet Tripod is a lifting device specially developed for lifting up tankcleaning machines.

There are three standard versions of the Tripod:

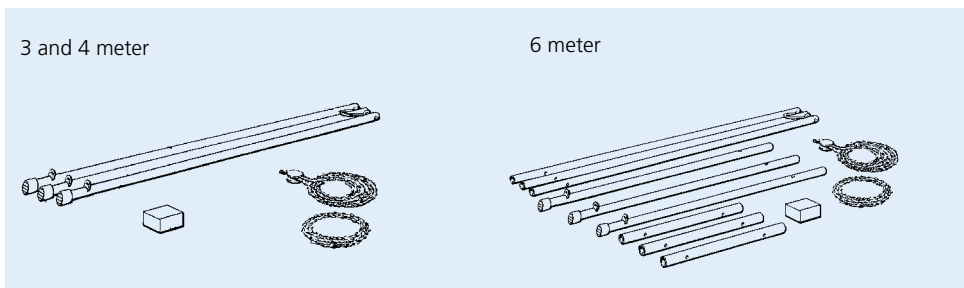
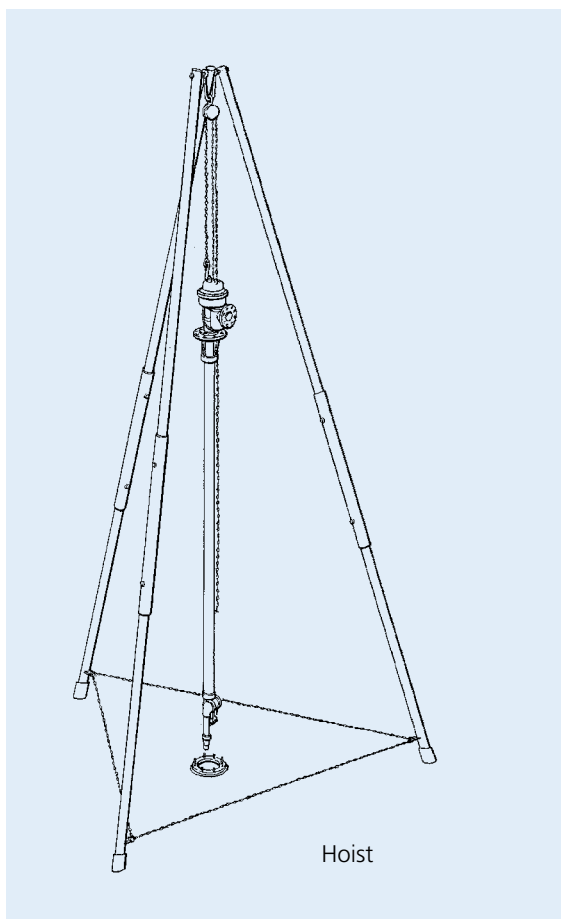
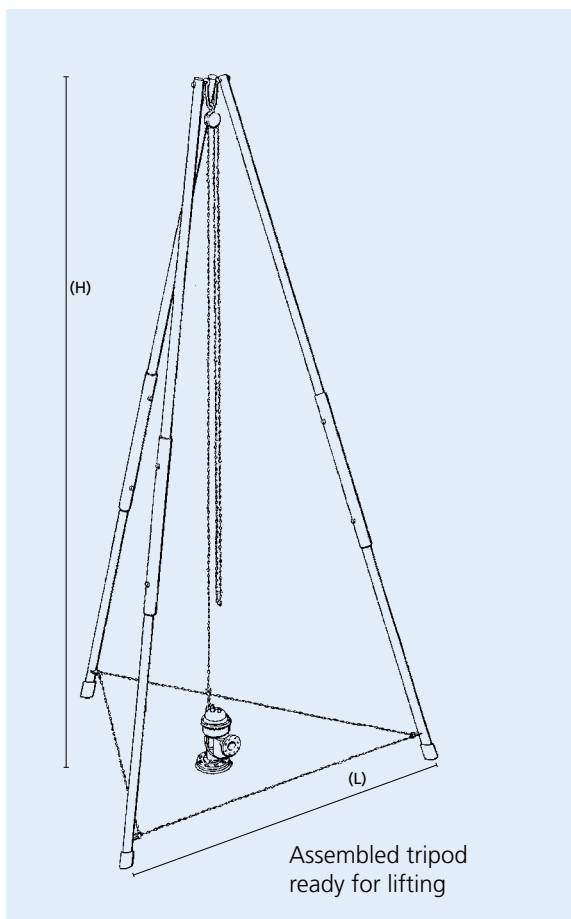
1. Tripod 3 meters
2. Tripod 4 meters
3. Tripod 6 meters in split version

The size of the tripod is depends on the size/length of the machine. The tripod consists of two main parts, the tripod and a lifting block. The lifting block is manually operated and has a maximum lifting capacity of 500 kg.

Typical applications for Tripod:

- Crude oil carriers
- Chemical carriers
- Bulk carriers
- OBO carriers
- Industrial applications

Dimensions



Specifications

Weight

3 meters
4 meters
6 meters

~ 62 kg
~ 70 kg
~ 110 kg

Max lifting weight

500 kg

Height (H)

3 meters
4 meters
6 meters

~ 3,4 m
~ 4,4 m
~ 6,2 m

Leg distance (L)

3 meters
4 meters
6 meters

~ 2,0 m
~ 2,7 m
~ 3,0 m

Material

Aluminium



Scanjet Marine AB
P.O. Box 9316
SE-400 97 Göteborg
Sweden

Phone: + 46 31 338 7530
Fax: + 46 31 338 7540
E-mail: office@scanjet.se
Web: www.scanjet.se

